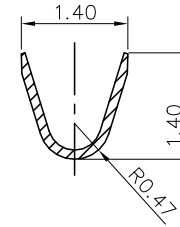
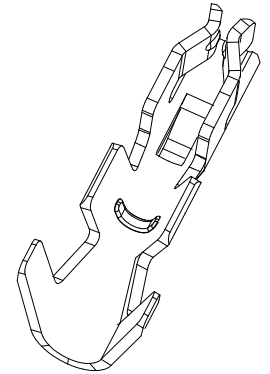


NOTES:

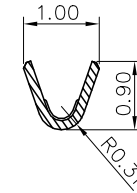
1. MATERIAL: PHOSPHOR BRONZE C5210, THICKNESS 0.12±0.01.
2. SURFACE TREATMENT: PURE TIN, 40u" MIN
3. COMPONENT LOAD PER REEL: 15K PCS.
4. SPEC. PLS. REFER TO PS-92252-XXXXX-CA1
5. HOUSING P/N: 92253-XXXXXXX-CA1
6. WIRE RANGE: SUITABLE FOR AWG#28~#30.
7. INSULATION O.D: 0.70~0.80mm.
8. AFTER CRIMPING GAP: 0.04+/-0.03
9. PART NUMBER

92254-T X X X-CA1

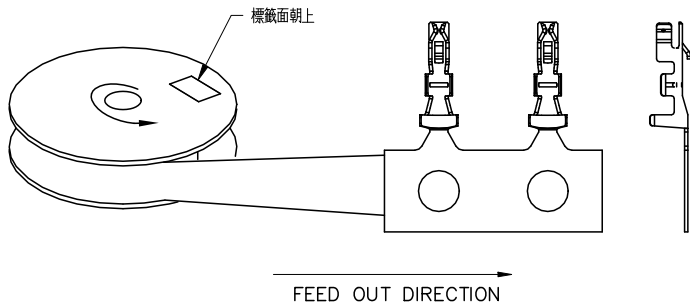
TYPE ——— X ——— PLATING
 O: NONE L: PURE TIN
 MATERIAL
 2: C5210



SECTION X-X



SECTION Y-Y



QUALITY SYMBOLS MAJOR CRITICAL GENERAL TOLERANCES (UNLESS SPECIFIED) X ±0.5 .X ±0.25 .XX ±0.15 .XXX ±0.1 ANGLES ±2°	DRAWN BY JIANG, XIUJIN	DATE 20/06/24		TITLE 1.0mm WTB CONN TERMINAL		
	CHECKED BY XU, ZHIYONG	DATE 20/06/24			UNITS mm	
	APPROVED BY XU, ZHIYONG	DATE 20/06/24	SCALE 1:1	SHEET NO. 1 OF 1	REV B	DWG NO. 92254-TXXX-CA1